

SPR5841

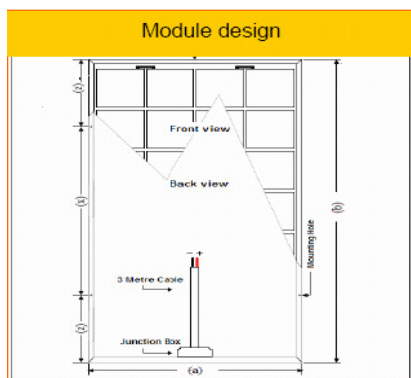


CIGS product information 6W, 9W, 15W, 30W, 45W, 60W

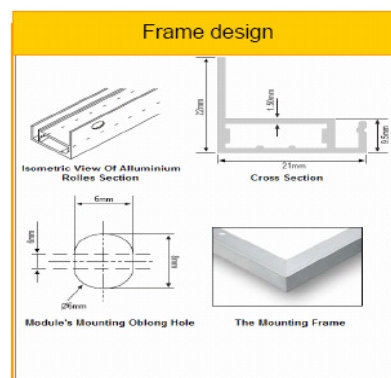


Specifications	ME06	ME09	ME15	ME30	ME45	ME60
Cell	Crystalline CIGS (Copper Indium Gallium diSelenide) onto thin film stainless steel foil					
Characteristics (+/- 10%)						
Open circuit voltage (VOC)	27.5V	28.5V	28.0V	27.3	27.1	26.4
Optimum operating voltage (Vmp)	17.6V	18.9V	18.5V	18.10	17.9	17.6V
Short circuit current	0.48A	0.58A	1.05A	2.16	3.24	4.2A
Optimum operating current (Imp)	0.35A	0.47A	0.81A	1.69	2.49	3.42
Power at STC (Pmax)	6W	9W	15W	30W	45W	60W
Temperature coefficient for power & voltage %/°C	-0.6	-0.6	-0.6	-0.6	-0.6	-0.5
Note: Modules, when first used, need two days of full sun exposure before reaching optimum performance						
Limits						
Operating temperature	-40 to +85°C					
Maximum system voltage	48V DC	48V DC			500V DC	
Output						
Type of output terminal	Potted junction box with 3 meter flying lead					Junction box
Cable	0.5 mm ² - 4 amp - 1100V - 6.1mm overall diameter (red +) and (black -)					None
Cable length	3m					None
Connection	Stripped wire	Stripped wire	Stripped wire	Stripped wire	Stripped wire	To Junction box
Module Dimension						
Dimension of module (a) x (b)	228 x 596 x 22 mm	228 x 596 x 22 mm	406 x 596 x 22 mm	602 x 788 x 34 mm	602 x 1186 x 34 mm	641 x 1186 x 34 mm
Mounting oblong hole	8 x 6 mm	8 x 6 mm	8 x 6 mm	8 x 7 mm	8 x 7 mm	8 x 7 mm
Dimension X (Distance between mounting holes)	300 mm	300 mm	300 mm	400 mm	600 mm	600 mm
Dimension Z (Distance from corner)	148 mm	148 mm	148 mm	194 mm	293 mm	293 mm
Weight	1.7 kg	1.7kg	2.7kg	5.3kg	7.8kg	8.9kg

STC: Irradiance 1000W/m². Module temperature 25°C, AM=1.5



For dimensions & output for module range see table above



22 mm frame design and mounting holes (24 mm in the same design)

A of dimensions & output for model range
see table above

Data sheet

22 mm frame design and mounting notes
(34 mm is the same design