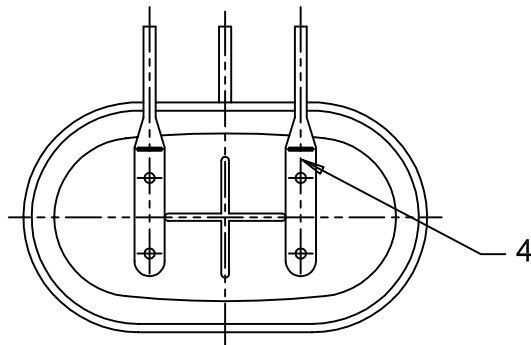
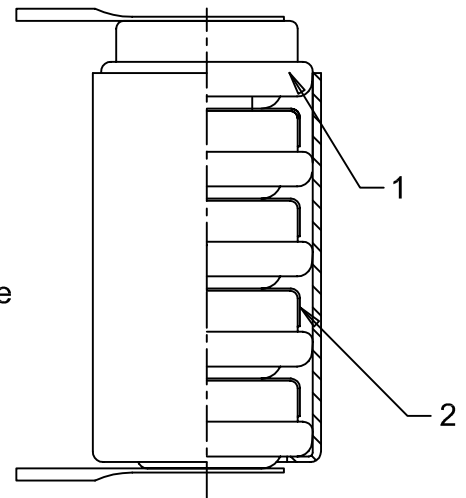
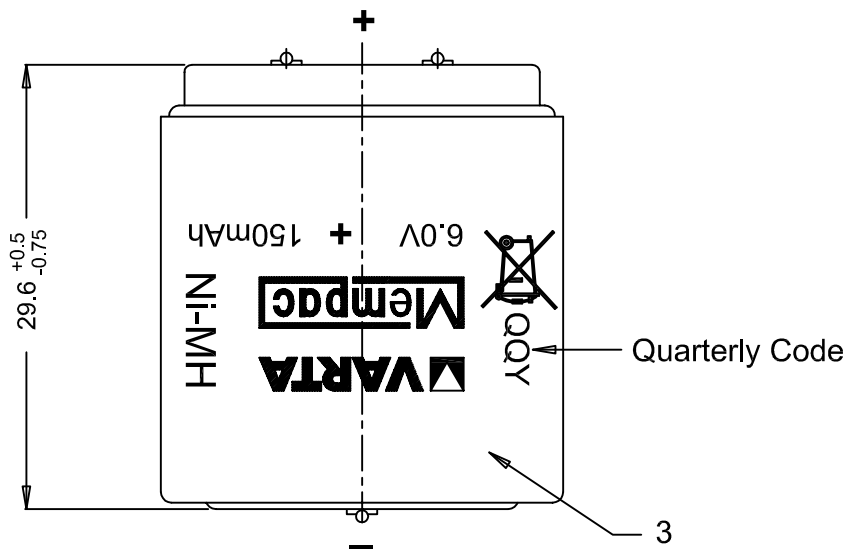
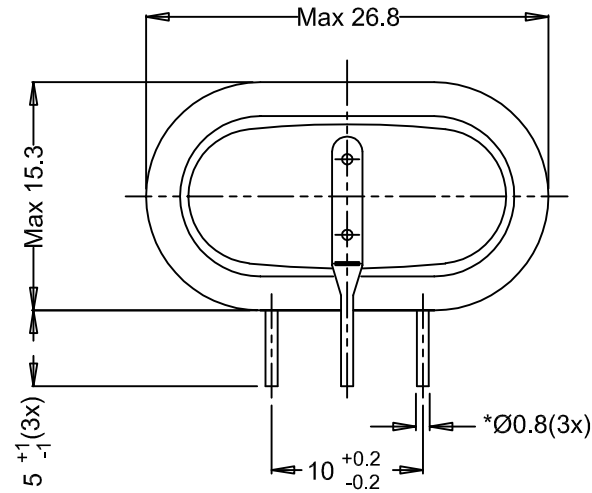


This is a controlled document.  
 Hardcopy to be endorsed by authorised person.  
 Check with Issuing Officer or SAP system for latest update.



Note: \*Dimensions for reference only

Approx. wt : 31 g

No	AO No	Revisions	Date	Name
4	R414/08	Add cross wheeled bin	2008-10-04	Syamsul
3	R012/04	Change VKB from ...012 to ...940	2004-02-11	Dwi
2	R001/04	Change code from 4 digit to 3 digit	2004-01-02	Tutik
1	R36/03	Terminal pin change to use Flatten model	2002-08-22	TitisWS

Projection:		<b>Material:</b> Refer to part list no: 063708		<b>Description:</b> 5/V150H battery with casing & terminal pin	
<b>Dimensions in mm</b>		<b>Prepared &amp; Checked</b> 2002-08-22 Ratna		<b>Verified &amp; Approved</b>	
<b>Tolerance: As specified</b>		<b>Scale: 2 : 1</b>		<b>Dwg. No: 063708</b>	
				<b>VKB Order No: 55615 605 940</b>	

Rights reserved to make technical changes, as a result of further development, without notice. This drawing is the property of VARTA Microbattery and must not be copied or disclosed to a third party without the written consent of VARTA Microbattery.

